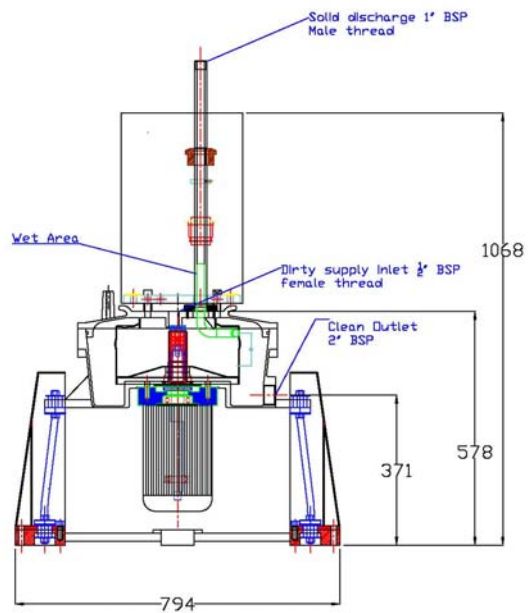




Dieselcraft is a Magnum Group Company
PO BOX 7670, Auburn, CA 95604 USA
Telephone 530-613 2150 Fax 530-823-7078
Email sales@dieselcraft.com
www.dieselcraft.com

Vertical Self Cleaning Fully Automatic High Speed Centrifuge



The self cleaning centrifuges will generate up to 3000 gravitational centrifugal forces.

The oil water separators provide automatic solids removal with a complete vertical cleaning action.

This action is far superior to the standard single action cleaning. The vertical clean will scrape difficult, dry or tacky solids from the centrifuge bowl. Recommended for algae,

- High Speed Precision Balanced
- Easy to remove grade 304 Stainless Steel, heavy duty bowl for greater separation
- Bowl (Rotor) holding Capacity .790 gallons / 3 litres (100 oz) of solids
- 4 Point Vibration Isolation Points
- The centrifuge units will generate up to 3000 gravitational centrifugal forces
- Available in Single Phase and 3 Phase power supply options
- Very low operating noise
- No wearable parts
- One pass separation

Price:
Solid / liquid centrifuge vertical clean \$ CALL